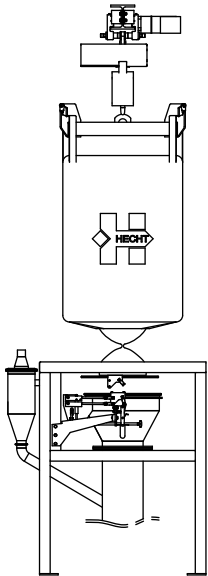


Ring Filter Connection System

NEW



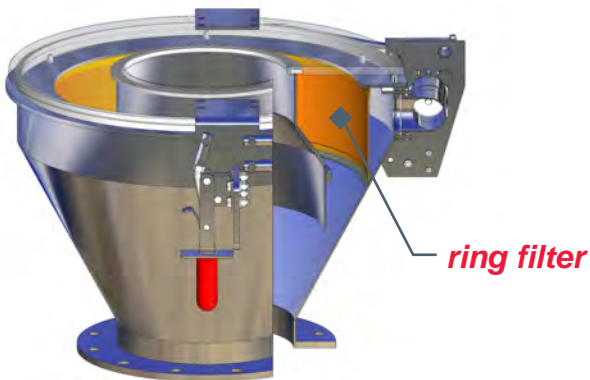
More than 15 years ago, HECHT introduced the outlet connection system that today is still state-of-the-art in the field of FIBC discharge.

So far, FIBCs have been used together with a filter.

HECHT has developed further this proven system and is now presenting the result.

The development, for which a patent has been filed, features an integrated *ring filter*.

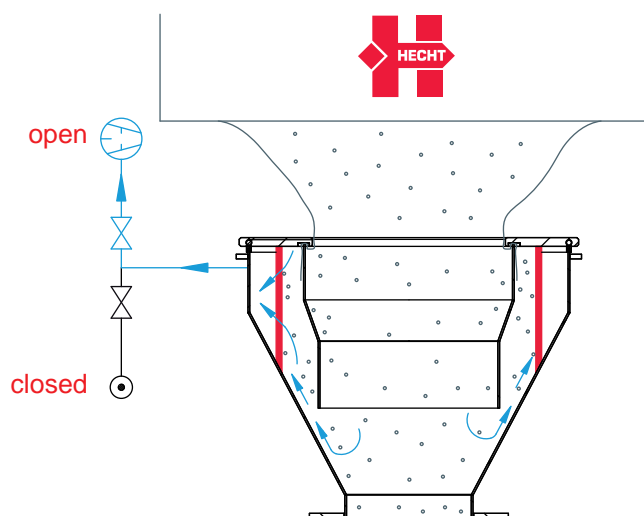
External filters as well as the cross containment and carryover of product involved belong to the past.



With an integrated ring filter, there is ...

- ◆ no cross contamination
- ◆ no carryover of product
- ◆ no need for external filters

Principle of the ring filter connection system



Ventilation during discharging

HECHT Technologie GmbH

Schirmbeckstraße 17
85276 Pfaffenhofen/Ilm Germany

Fon +49 84 41-89 56-0
Fax +49 84 41-89 56 56

Mail info@hecht.eu
Web www.hecht.eu

HECHT
technologie