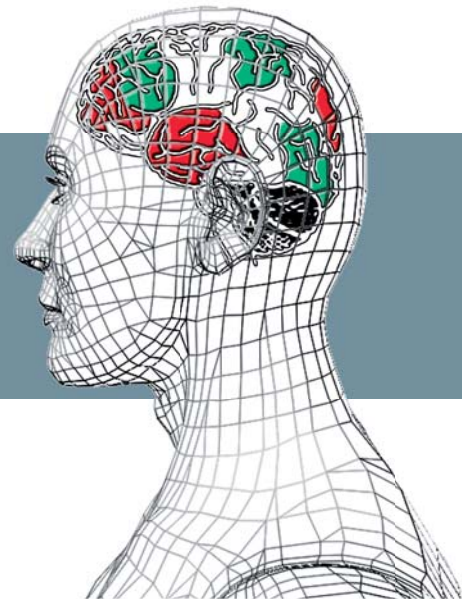




Dosing Shut-off



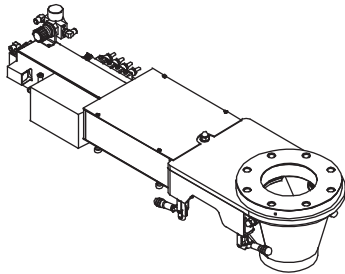
HECHT Technologie GmbH

Schirmbeckstr. 17
85276 Pfaffenhofen/Ilm • Germany

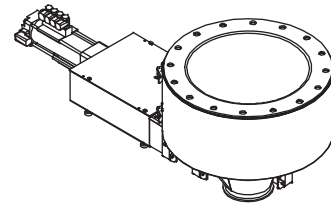
♦ Phone: +49 8441-8956-0
♦ Fax: +49 8441-8956-56

♦ Web: www.hecht.eu
♦ E-mail: info@hecht.eu

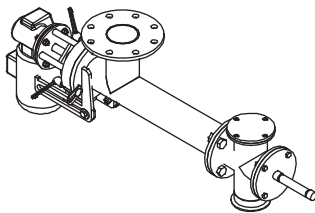
METERING VALVE



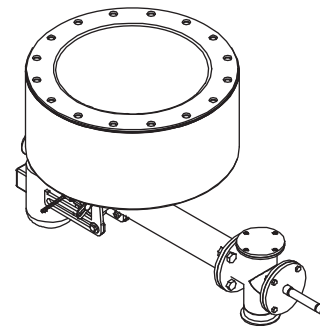
METERING VALVE WITH FLEXKON



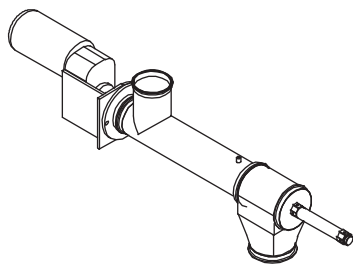
DOSIERSCHNECKE STANDARD



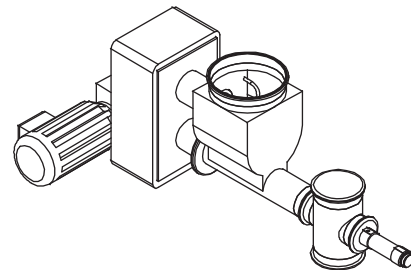
METERING SCREW WITH FLEXKON



METERING SCREW ProClean®



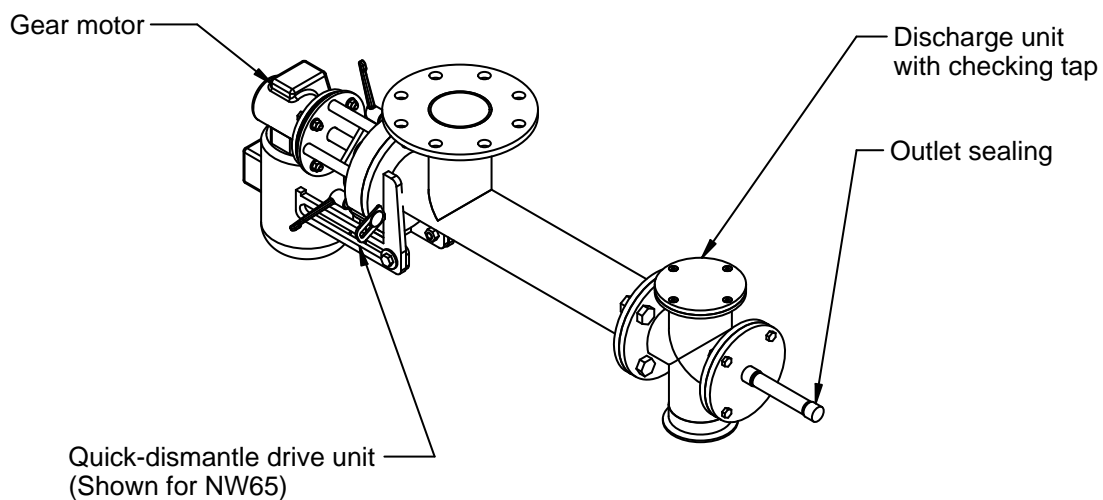
METERING SCREW ProClean® WITH STIRRING DEVICE



Recommended cases of application	Metering valve	Metering valve with Flexkon	Metering valve with Flexkon	Metering screw with Flexkon	Metering screw ProClean®	Metering screw with stirring device ProClean®
Freely flowing products	X		X		X	
Poorly flowing products		X		X		X
Industrial version	X	X	X	X		
Pharma / Food	X	X			X	X
Quick dismantle version	X	X	optional	optional	X	X

Hecht metering screw systems are particularly suited for metering freely flowing bulk solids.

In the case of poorly flowing bulk solids, even feeding of the product is ensured using the **Flexkon discharge device** (see also info sheet for Flexkon discharge device).

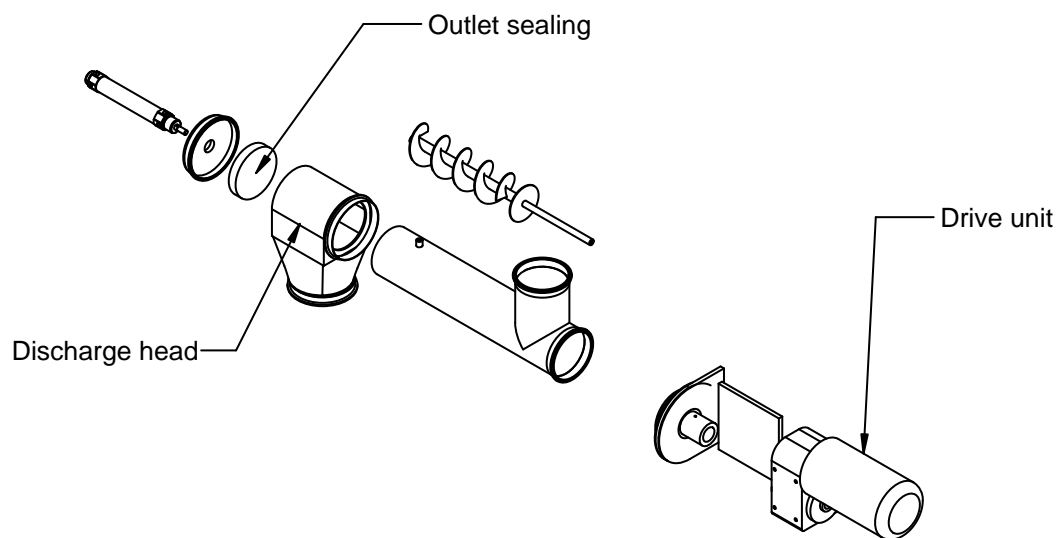


POSSIBLE DESIGN VERSIONS

- ◆ Quick dismantle version (optional)
(fast removal of the screw for cleaning and inspection)
- ◆ Outlet sealing
(prevents trickling of the product after dosing has been completed)
- ◆ Gland box or air seal
- ◆ Version with explosion protection
- ◆ Motor with frequency converter control or dual-speed
- ◆ Material: Stainless steel 1.4301 / 1.4404 (316 L) / 1.4571 (316 Ti)
 (Other materials on request)

ProClean® metering screw belong to the **ProClean range of products** for particularly hygienic requirements.

They are high-quality, all-purpose metering systems for freely flowing products with a performance of up to 30 m³/h. Due to their functionality and rigid design, they are suitable for applications with high hygienic requirements.



For cleaning purposes, the **ProClean® metering screw** is disconnected from the motor via Tri-Clamp quick connections.

The screw can then be taken into the cleaning area. There, it will be dismantled into its individual components via further Tri-Clamp quick connections. The drive unit remains at the system.

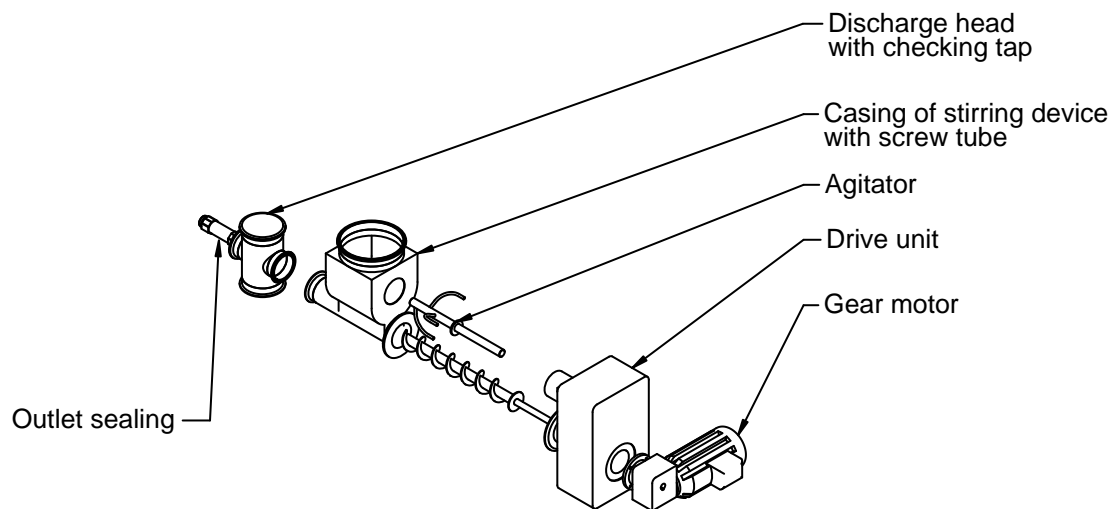
DESCRIPTION

- ◆ Quick dismantle version for easy maintenance and cleaning
- ◆ Outlet sealing
(prevents trickling of product after dosing has been completed)
- ◆ Combination of gland box and air seal
- ◆ Version with explosion protection
- ◆ Motor with frequency converter control or dual-speed
- ◆ Material: stainless steel 1.4301 / 1.4404 (316 L)
(other materials on request)

Hecht ProClean® metering screws with stirring device are used for poorly flowing or bridging bulk solids.

The integrated stirring device stirs the product, making sure that the product is evenly fed to the screw.

Due to their functionality and rigid design, they are suitable for applications with increased hygienic requirements.

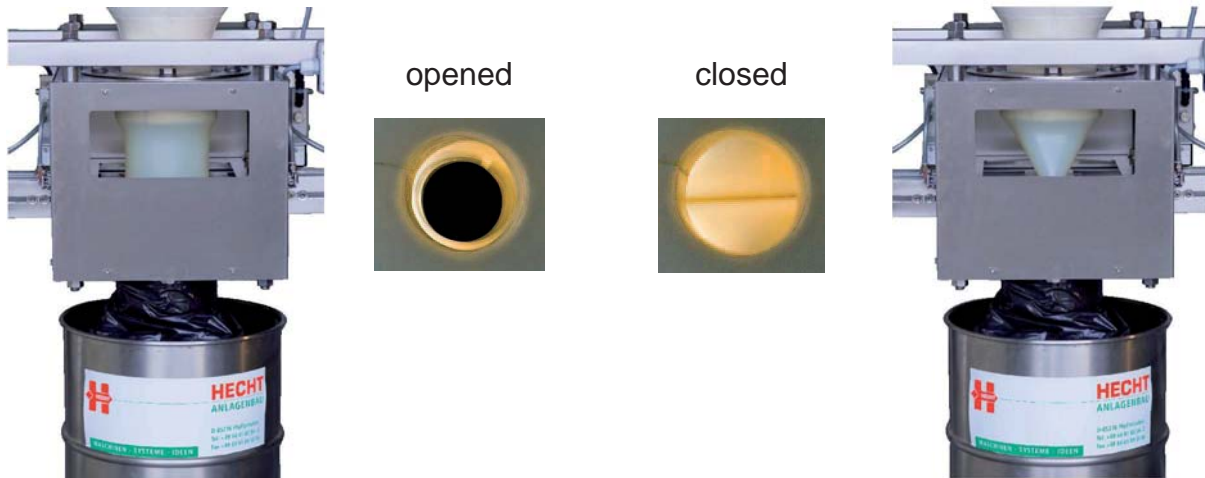


For cleaning purposes, the **ProClean® metering screw with stirring device** is disconnected from the motor via Tri-Clamp quick connections.

The screw with stirring device can then be taken into the cleaning area. There, it will be dismantled into its individual components via further Tri-Clamp quick connections. The drive unit remains at the system.

DESCRIPTION

- ◆ Quick dismantle version for easy maintenance and cleaning
- ◆ Outlet sealing
(prevents trickling of product after dosing has been completed)
- ◆ Combination of gland box and air seal
- ◆ Version with explosion protection
- ◆ Motor with frequency converter control or dual-speed
- ◆ Material: stainless steel 1.4301 / 1.4404 (316 L)
(other materials on request)



Q-DOS METERING SYSTEM

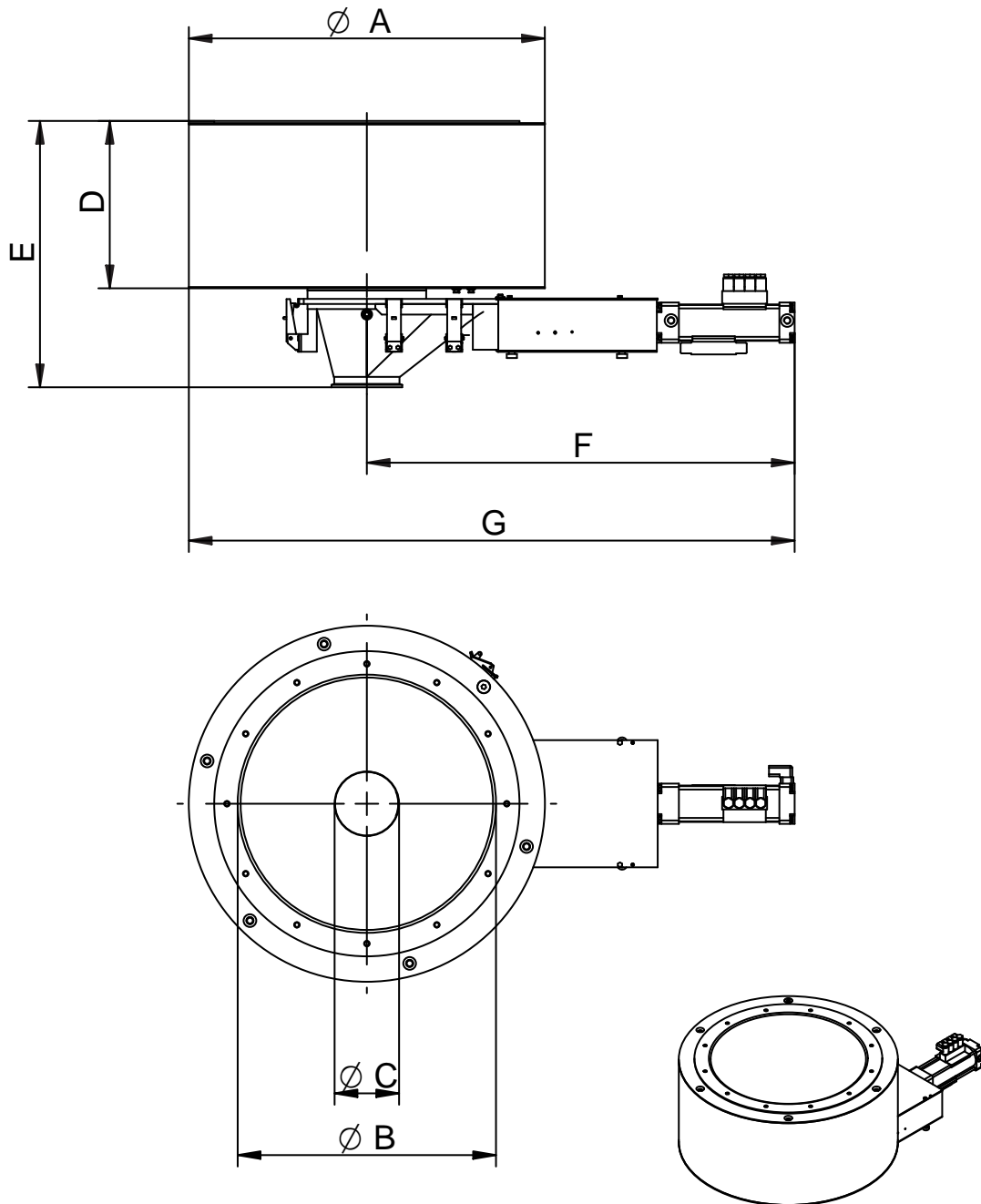
- ◆ Metering system without without any mechanical parts in the product flow.
- ◆ By squeezing the hose, which contains the product, the product flow is decreased and the system closed.
- ◆ 3 operating conditions: **wide product flow, small product flow, closed**
- ◆ Highly efficient because the whole diameter can be filled with the product.

FUNCTIONAL DESCRIPTION

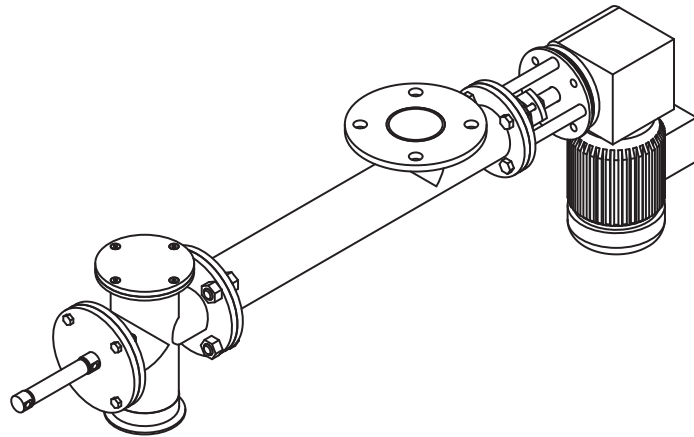
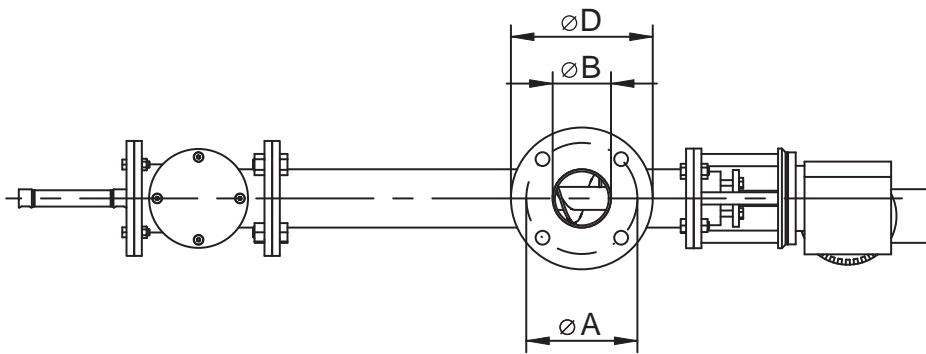
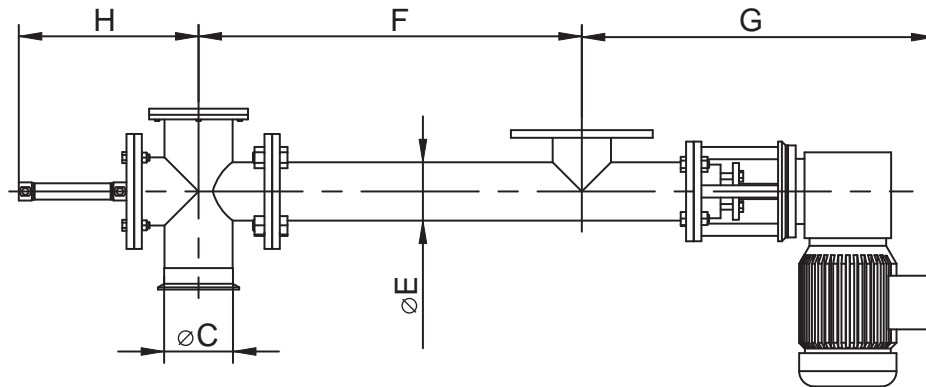
- ◆ Into the metering system the desired value is entered.
- ◆ Vibrators mounted on the filling funnel ensure a smooth product flow.
- ◆ Before the filling process is completed totally two pneumatically controlled bars are pressed against the hose. Therefore the product flow decreases until it is stopped completely.
- ◆ This allows a very precise metering and a difference from the desired value of only a few grams (differs according to system size and the product measured).

There is no contact between mechanically driven parts and product.

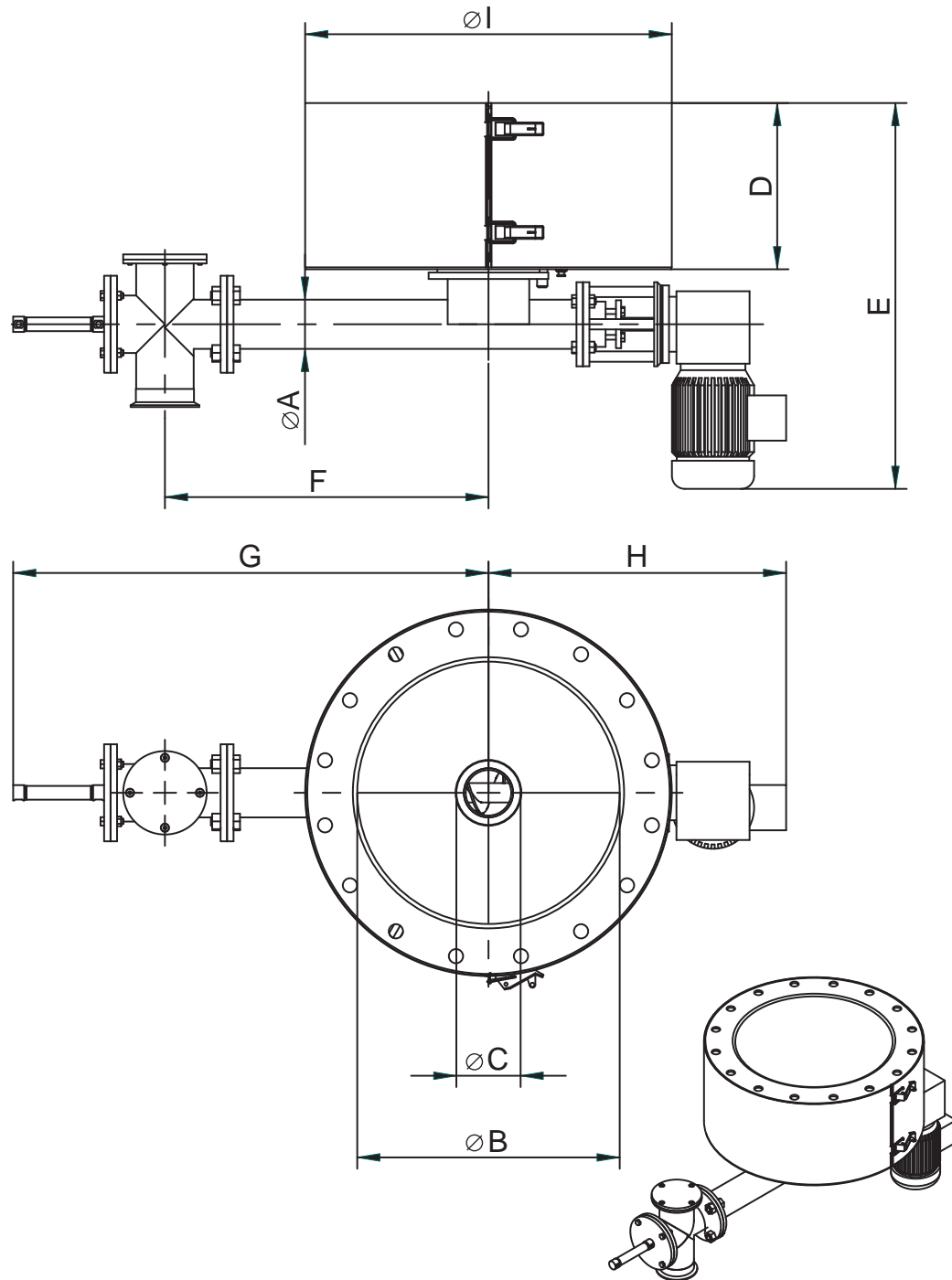




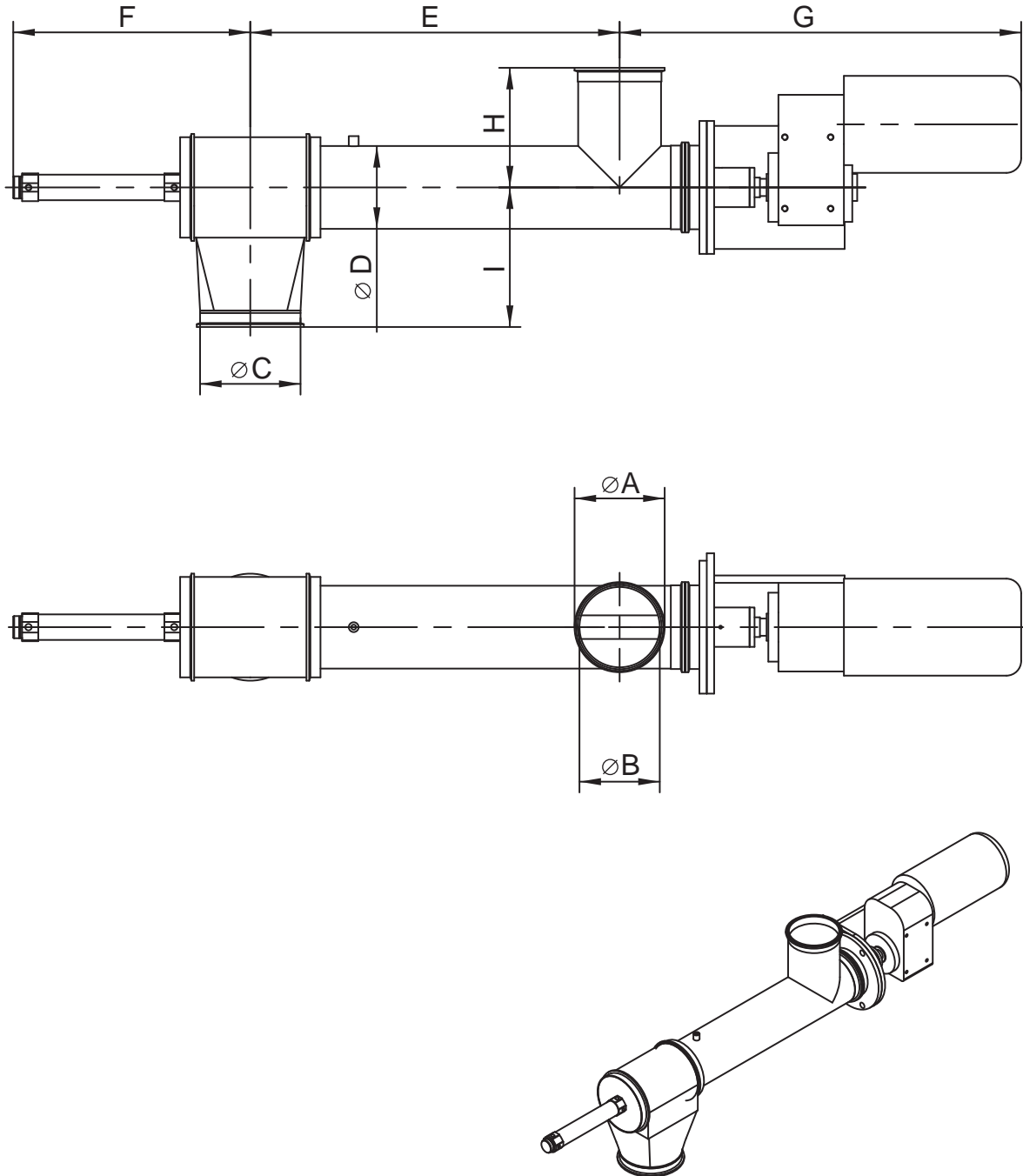
Type	Ø A	Ø B	Ø C	D	E	F	G
	Total	Inlet	Outlet	Height 1	Height 2	Length	Length
FDOS 400/100	565	400	100	262	476	829	1112
FDOS 400/150	565	400	150	270	500	1012	1295
FDOS 600/100	840	600	100	442	656	829	1250
FDOS 600/150	840	600	150	400	630	1012	1432
FDOS 600/200	840	600	200	350	611	1195	1615



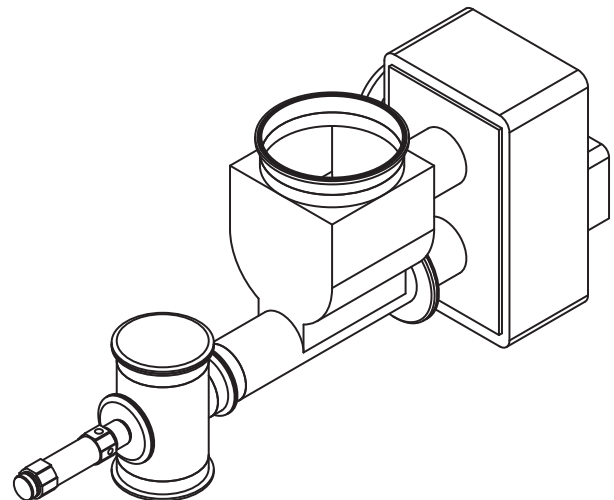
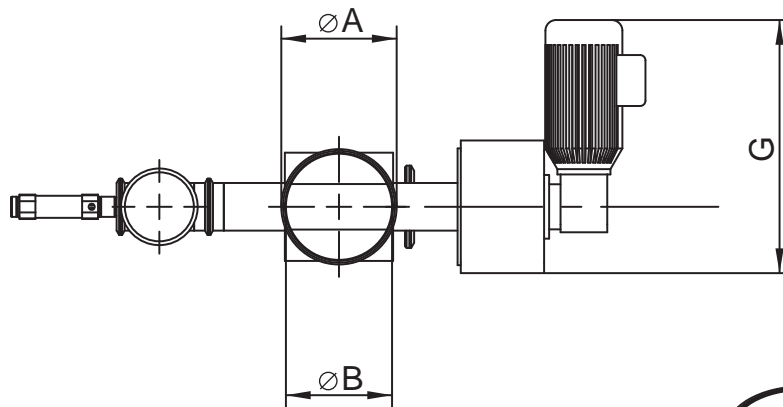
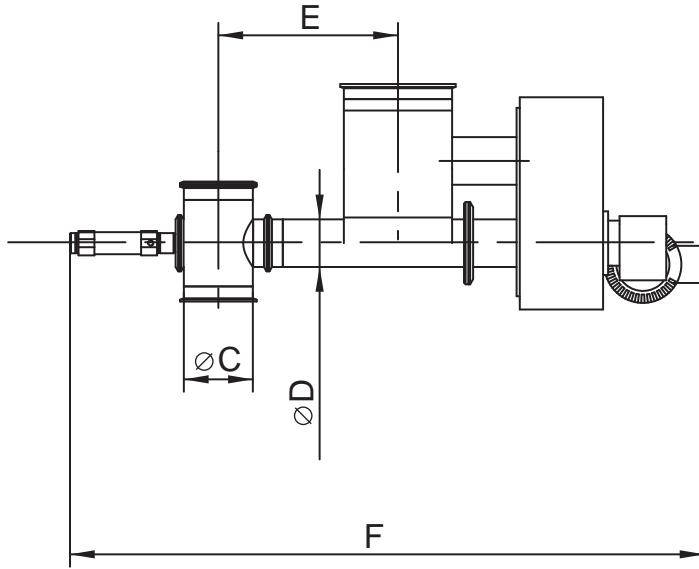
Type	Ø A Inlet connection	Ø B	Ø C	Ø D	Ø E Screw	F Min.	G	H
RS 65	TK Ø180 / 8 x 18	100	100	220	65	300	493	265
RS 100	TK Ø 180 / 8 x 18	100	100	220	100	300	543	325
RS 150	TK Ø 240 / 8 x 22	150	150	285	150	450	593	385
RS 200	TK Ø 295 / 8 x 22	200	200	340	200	550	643	425



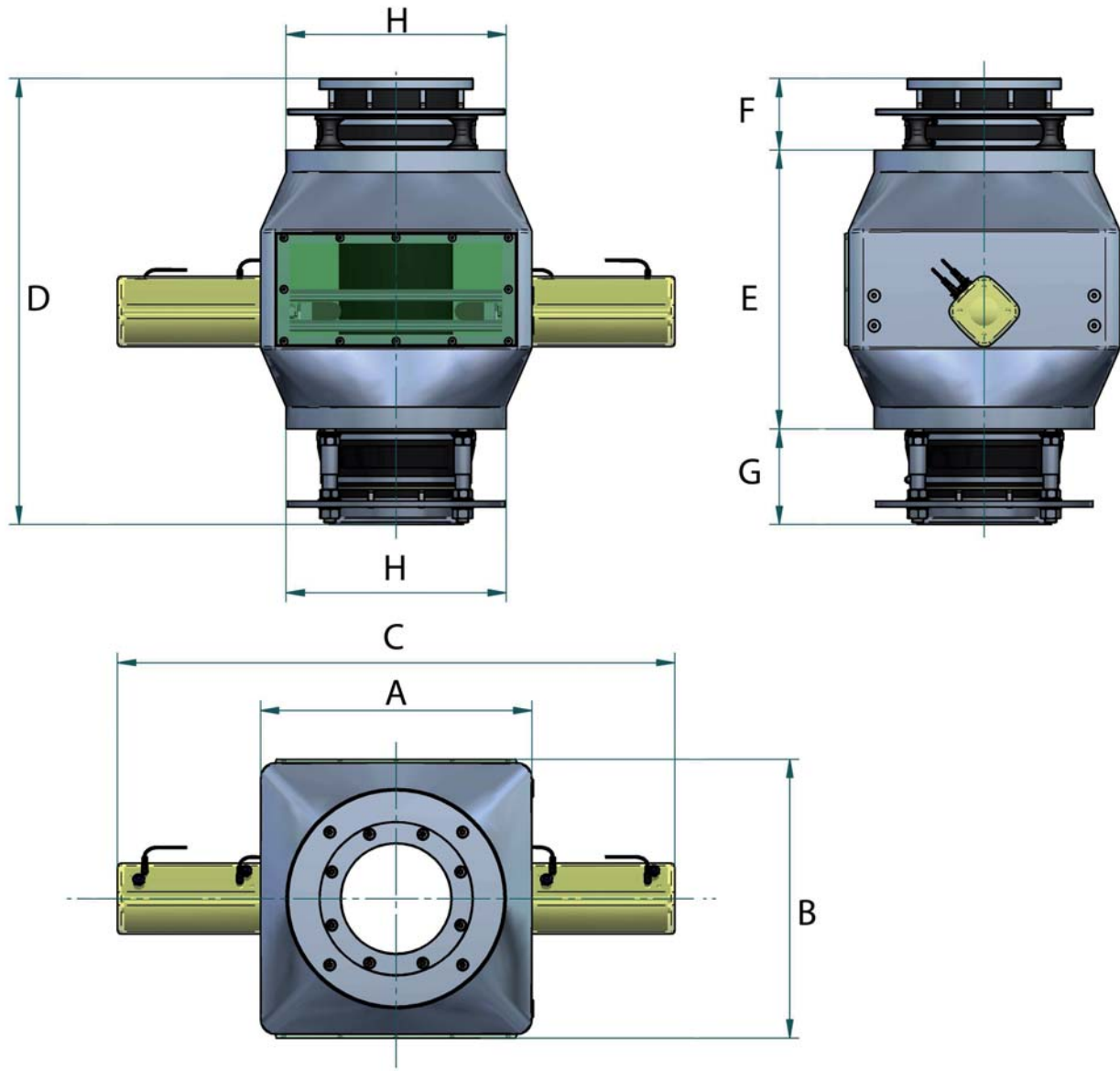
Type	Ø A Screw	Ø B Inlet	Ø C Outlet	D Height 1	E Height 2	F	G	H	Ø I
FRS 400/100	100	400	100	262	480	400	625	725	565
FRS 400/150	150	400	150	270	488	550	775	725	565
FRS 600/100	100	600	100	442	660	400	625	860	840
FRS 600/150	150	600	150	400	618	550	775	860	840
FRS 600/200	200	600	200	350	568	700	925	860	840



Type	Ø A Connection	Ø B Inlet	Ø C Outlet	Ø D Screw	E	F	G Depending on motor arrangement	H	I
RS ProClean® 150	100	400	100	262	750	400	815 / 485	240	284
RS ProClean® 200	150	400	150	270	750	430	815 / 485	240	284



Type	$\varnothing A$ Connection	$\varnothing B$ Inlet	$\varnothing C$ Outlet	$\varnothing D$ Screw	E	F	G <i>displaceable by 90° each</i>
RSRW 60	Triclamp	200	85	60	250	1200	663
RSRW 100	Triclamp	200	125	100	300	1250	663



NW	A	B	C	D	E	F	G	H	Weight [kg]
150	370	380	760	610	380	100	130	300	40

Further sizes will be available shortly.
(Dia. 100, 200, 250, 300, 350, 400)

NOTE

In the case of poor-flowing products, the material must be fed uniformly, e.g. by connecting a Flexcon discharge device ahead.

All mechanically operated parts have no product contact.